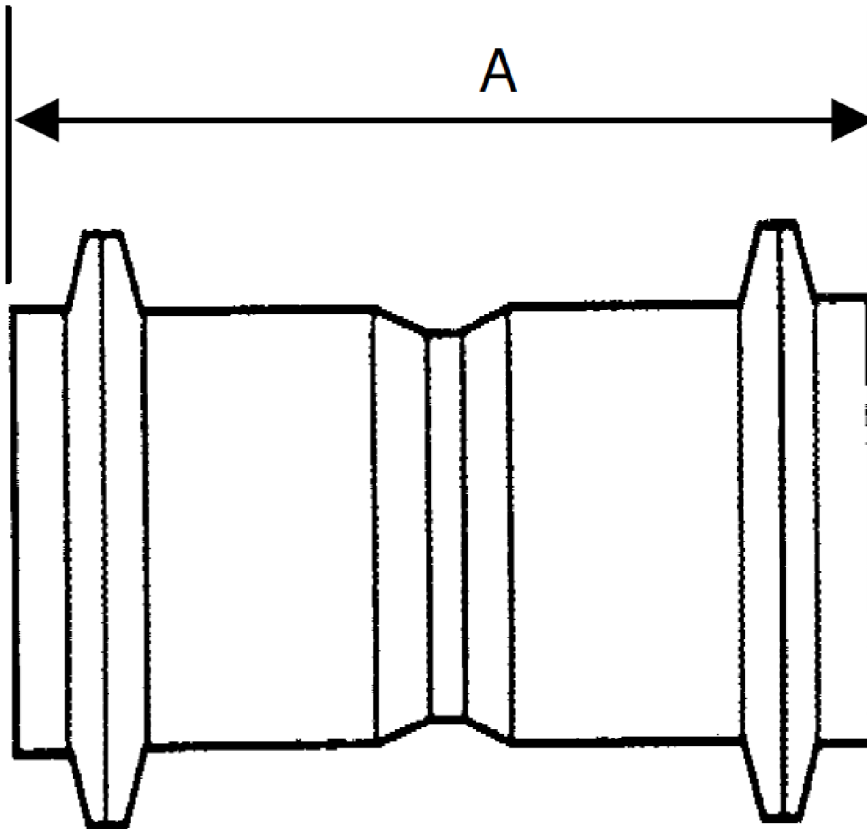


SIGNED DRAWINGS MUST ACCOMPANY PURCHASE ORDER OR DIMENSIONS OF FITTINGS WILL NOT BE GUARANTEED



Size	A
10"	13.75
12"	15
15"	18.25
18"	21
21"	25.5
24"	27.75
27"	29.5
30"	45.5
36"	44.25
42"	46
48"	48.75

**DISCLAIMER - PLEASE READ**

- DIMENSIONS AND APPEARANCE ARE APPROXIMATE AND SUBJECT TO CHANGE WITHOUT NOTICE DUE TO DESIGN OR PRODUCTION MODIFICATIONS
- ANGLE TOLERANCE FOR ELBOWS IS +/- 2 DEGREES.
- ALL OTHER DIMENSIONS ARE TO TOLERANCES OF +/- 1"
- ALL FITTINGS ARE SUBJECT TO RBP "STANDARD TERMS AND CONDITIONS"

 **ROYAL**<sup>™</sup> Building Products

[royalbuildingproducts.com](http://royalbuildingproducts.com)

56400 Mound Road, Shelby Township, MI 48316  
Phone (800)232-5690 -- Fax (586)781-0888

**24" STOP COUPLING**  
**PVC SDR35 GASKETED SEWER**  
**24" x 24" GxG**

PRINTED COPIES ARE FOR REFERENCE ONLY

DATE: 3/25/2015 DRAWN BY: RKS

DATE: 3/25/2015 CHECKED BY: RBP

L6024.S

CUSTOMER